

# TRYSSTAR Generator Docking Stations

## KEY FEATURES:

- NEMA 3R, 4, or 4X
- Powder coated aluminum
- Mounting options: wall, flush, pad
- Extra depth option available
- 100A – 5000A up to 600V
- Patented lockable rake system reduces cable theft and disconnection
- Kirk Key interlock (option)
- UL 50 Listed enclosure
- ETL Listed to UL 1008 Standards

## AVAILABLE INPUT / OUTPUT CONNECTIONS:

- Camlok (16 Series or 22 Series)
- Posilok
- Veam Power locks
- Pin & Sleeve
- Meltric
- Hardwire

## AVAILABLE ACCESSORIES:

- 2-wire Auto Start
- 20A Duplex
- 20A GFCI
- 30A NEMA L5-30
- 50A Twist-Lock Receptacle
- 100% Ground Bus
- Custom Lugs or Compression Lugs
- Strip Heater & Thermostat
- Load Dump Receptacle
- Utility Lights/ Alarm

## BREAKERS & MANUAL TRANSFER SWITCHES:

- Circuit breakers up to 5000A\*
- Manual transfer switches up to 1200A\*

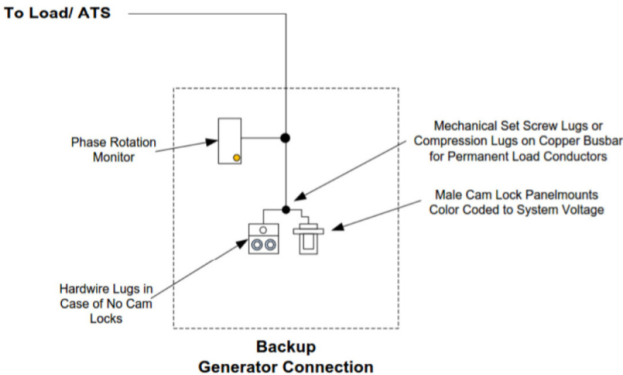
\*Limited UL listings on units with breakers or manual transfer switches

100A - 5000A

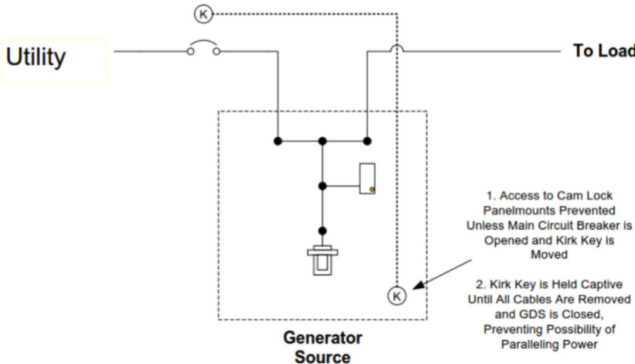


# Example One Line Diagrams

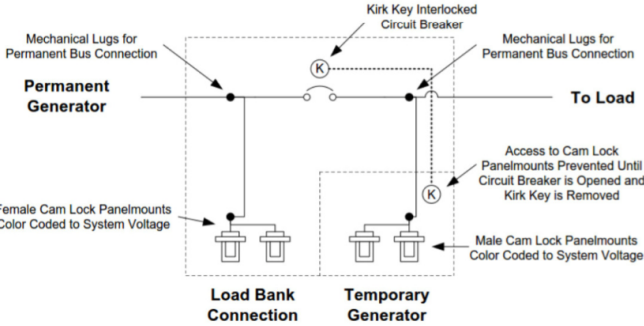
Standard Docking Station



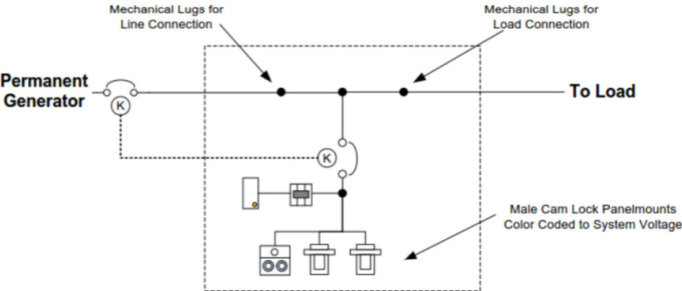
Docking Station w Kirk Keys



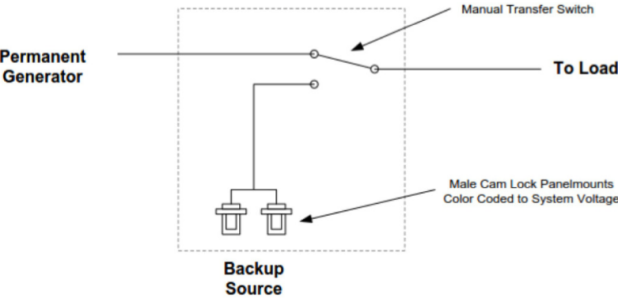
Single Breaker Dual Purpose Docking Station



Single Breaker Docking Station



Rotary Docking Station



Dual Purpose Docking Station

